



SMART ENERGY SOLUTIONS
 E-mail: sales@smartlednc.com
www.smartlednc.com

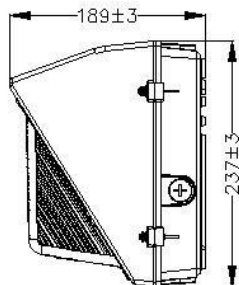
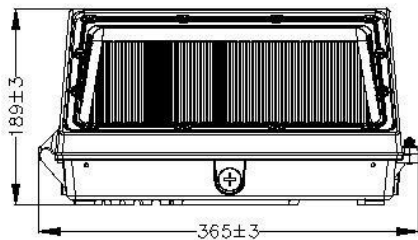
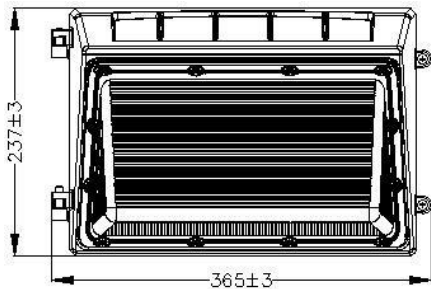
P/N: AST-SWP07M-60BBSPSA1-abcdeg

Note:

- AST= Company name;
- SWP07 = Product series, LED WallPack;
- M=Medium, 60 = Rating Power;
- B= Driver manufacturer, Becky;
- B= LED manufacturer, Lumileds;
- SP= Diffuser type, Stripe PC;
- S= LED Module type, single color;
- A= Input Voltage, A=120-277VAC;
- 1 = Version number;
- “a” can be any two letters to represent lamp colors;
- “b” can be “S” for Surge-Protective Device provided or blank for not provided;
- “c” can be “DP” or blank for DC Photocell provided or not;
- “d” can be “M”, “R” or blank for DC Motion Microwave sensor, DC Motion PIR sensor provided or not;
- “e” can be any two digits to represent CCT, 40=4000K, 65=6500K;
- “g” can be “E” for emergency driver provided or blank for not provided.



DIMENSIONS



ADVANTAGE

- UL cUL DLC-V5.1(Premium) certificate.
- Lumileds2835, high CRI.
- Input voltage120-277VAC .
- Output constant current lever can be adjusted through output cable with 0-10V.
- No UV or IR in the beam.
- Easy to install and operate.
- Energy saving, long lifespan.
- Light is soft and uniform, safe to eyes.
- Instant start, NO flickering, NO humming.
- Green and eco-friendly without mercury.

APPLICATION

- Entrance lighting, courtyard lighting;
- Industrial lighting, Outdoor landscape lighting;
- Building, The hotel;
- Wall lighting area and so on.

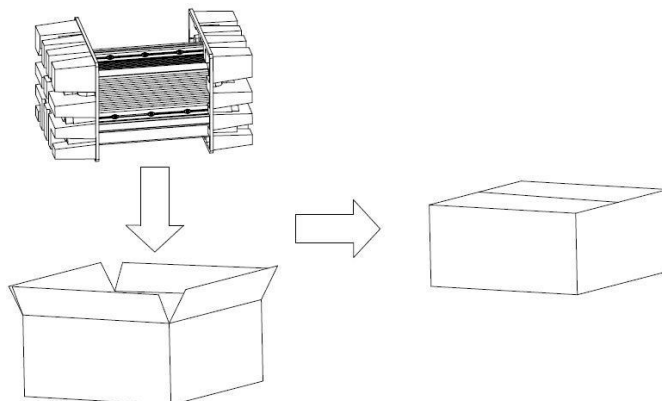
SPECIFICATIONS

OPTICAL	Input Power (Tolerance : ±10%)	60W				
	Color Temperature (Color Tunable)	4000K	4500K	5000K	5700K	6500K
	Lumen (Tolerance : -10%)	8800LM	8800LM	8900LM	9000LM	9000LM
	Efficacy (Tolerance : -3%)	148 LM/W	148 LM/W	149 LM/W	150 LM/W	151 LM/W
	CRI	>80				
	Color Consistency	<7 Steps (or <7 SDCM)				
	BUG	B1-U4-G5				
	Diffuser Type	PC				
	Beam Angle (50%) (Tolerance : ±15%)	105 Degree				
ELECTRICAL	Input Voltage and Frequency	120-277VAC 50/60Hz				
	PF (Tolerance : -3%)	≥0.9				
	THD (Tolerance : +5%)	≤20%				
	Flicker Percent	<50%				
	Driver Brand	Becky				
	Driver Model	BQE55-0510-118-PVF-PS				
	Driver Surge protection	L-N:4KV,L/N-PE:6KV				
	Dimming	0-10V dimming standard				
	Sensor Type	Occupancy Sensor				
	Optional Accessory	Surge-protective Device, Photocontroller, Motion Microwave Sensor, Motion PIR Sensor, Emergency				
MATERIALS	LED Brand	LUMILEDS				
	LED Type	SMD 2835				
	LED QTY	342PCS				
	Housing	Die-cast aluminum				
	Housing Color	Brown, Black, or Customized				
	Waterproof Rating	WET (IP65)				
OTHERS	Operating Temperature	-40°C TO 50°C, Sensor : -25°C TO 50°C with EM 0°C TO 50°C				
	Storage Temperature	-40°C TO 80°C with EM -20°C TO 85°C				
	Operating Humidity	20% - 90% RH				
	Storage Humidity	10% - 95% RH				
	Warranty	5 years warranty with 24/7 operating hours Luminaire lifetime at 25°C.				

PACKAGE

	Size	Qty / Carton	Net Weight / Carton	Gross Weight / Carton
Outer box	405*295*250MM	1 PC	2.34KG	3.34KG

Tolerance of Carton Size: ±15 MM, Tolerance of Weight: ±10%.



LIGHT DISTRIBUTION TESTING PARAMETERS

Luminaire Property

Luminaire Manufacturer:
 Luminaire Category:
 Lamp Catalog:
 Number of Lamps:
 Luminous Length (mm):
 Luminous Height (mm):
 Current: 0.497 A
 Power Factor: 0.992

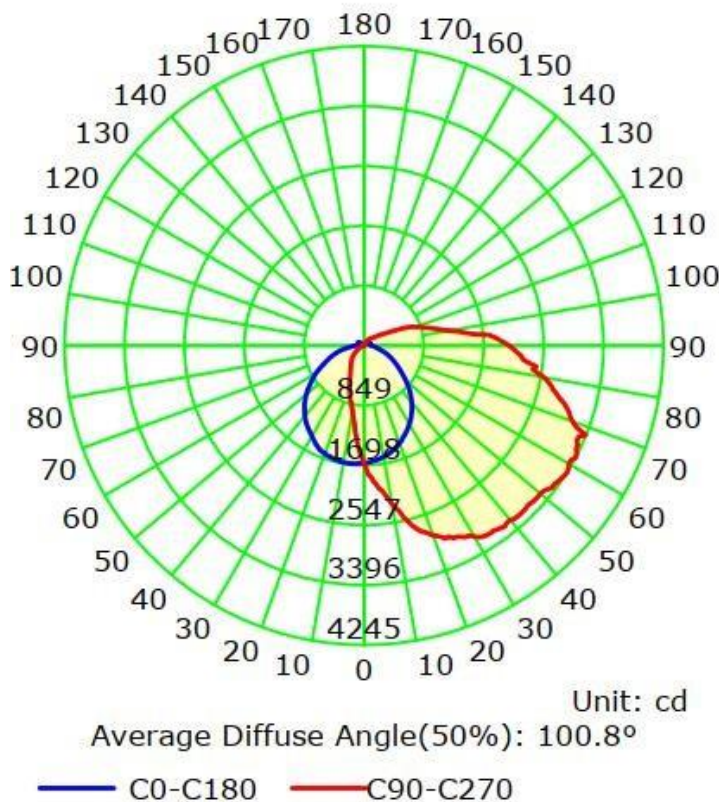
Luminaire Description:
 Lamp Description:
 Lumens per Lamp:
 Luminous Width (mm):
 Voltage: 120.1 V
 Power: 59.25 W

Photometric Results

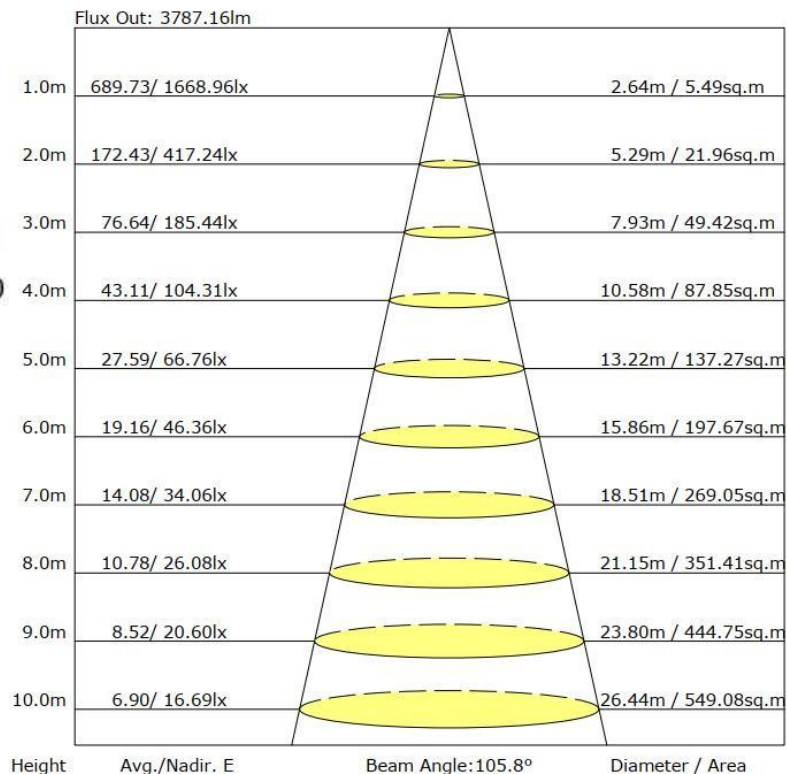
IES Classification: Type IV
 Total Rated Lamp Lumens: 8801.7 lm
 Efficiency: 100%
 Upward Ratio: 14%
 C0r0 Intensity: 1668.96 cd
 Pos of Max. Intensity: H90 V58

Longitudinal Classification: Very Short
 Measurement Flux: 8801.7 lm
 Downward Ratio: 86%
 Luminaire Efficacy Rating (LER): 148.60
 Max. Intensity: 3396.75 cd

Luminous Intensity Distribution Curve



The Average Illuminance Effective Figure



NOTICE FOR USER

- Please turn off power before install or change assembly parts.
- The input voltage and lamps should be matched, after connecting the power line, Please make sure the wiring section is insulated.
- No-professionals, must not install and disassemble the lamps.

TROUBLE SHOOTINGS

Troubles	Check points
Flickering of the light	Turn off the power and turn on again in 3 minutes. If same phenomena occur, then call agencies.
Out of working	Please check the connection.